

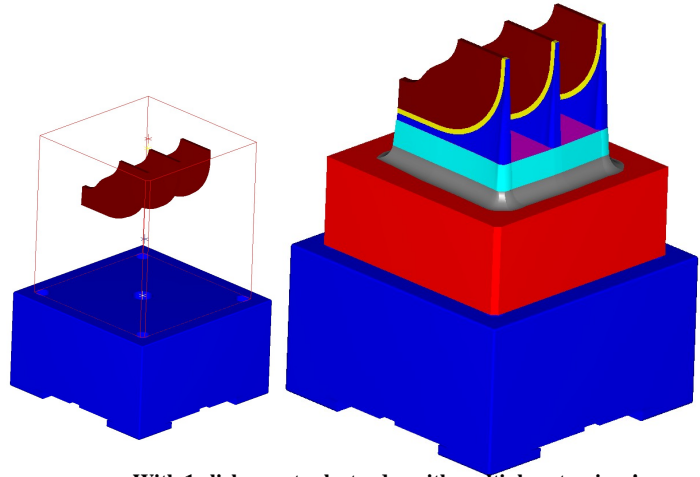


Moldplus V9.1 Enhancements

More enhancements! Increased productivity! Electrode Maker has even more powerful tools to create electrodes that are optimal for manufacturing. Several powerful new tools for trimming and un-trimming that allow for surface fills between independent surfaces and a trim editor that allows for manipulation of the trimmed surface boundaries.

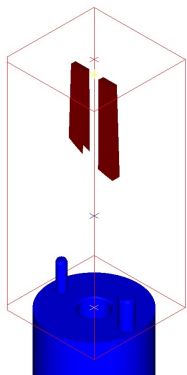
Electrode Maker

- **Improved interface** to select geometry and create electrodes
- **Preview** selected stock before inserting electrode
- Create **chamfers** on stock at any desired corner
- **Multi-step electrode extensions in 1 click** (tangential, draft, junction plane and angle and fillet) to build strong machine-able electrodes for single or multiple geometry selections
- **Copy and XForm** created electrodes to new locations to optimize electrode creation
- **Create output file** with machining data for electrode machine

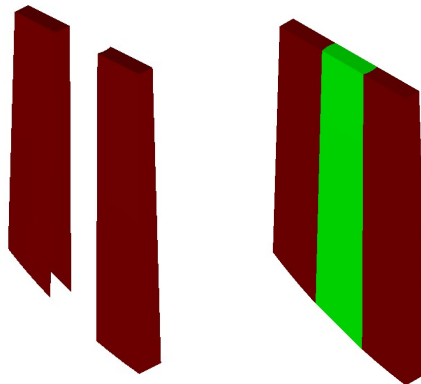


With 1 click, create electrodes with multiple extensions!

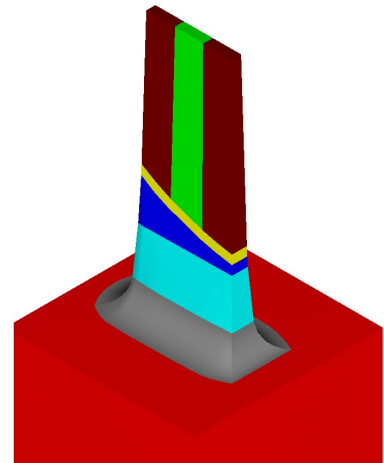
A combination of the Junction Surface creation tool and the new electrode extensions allows you to prepare electrodes in no time!



Electrode geometry prior to creating extensions



Create tangential or ruled junction surfaces by clicking on surface edges to connect them!



With an additional click, create all the surface extensions for the electrode geometry!

1-CLICK ELECTRODE EXTENSION DETAILS

Tangential (yellow) surfaces

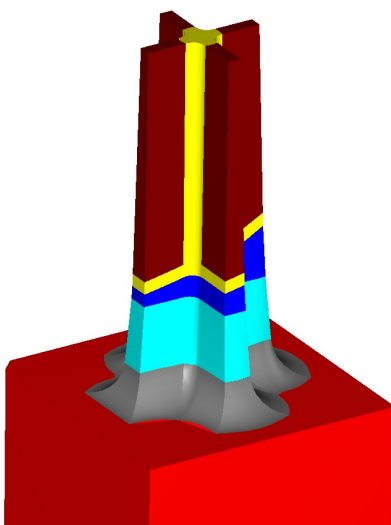
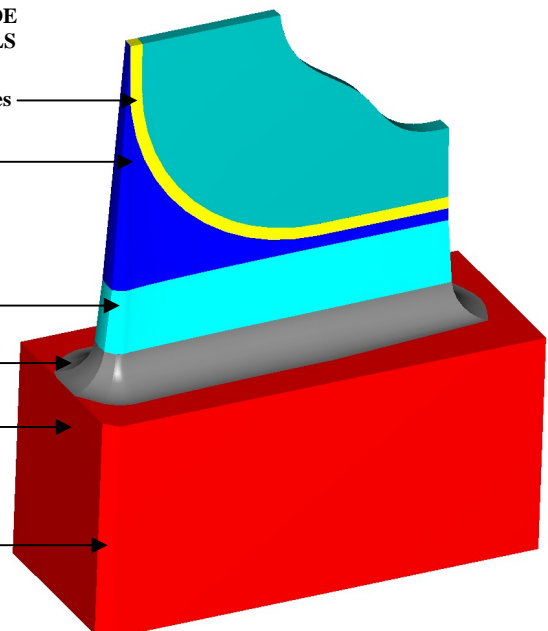
Draft (blue) surfaces

Secondary draft (light blue) surfaces

Fillet (grey) surfaces

Ruled (red) surfaces to electrode stock size

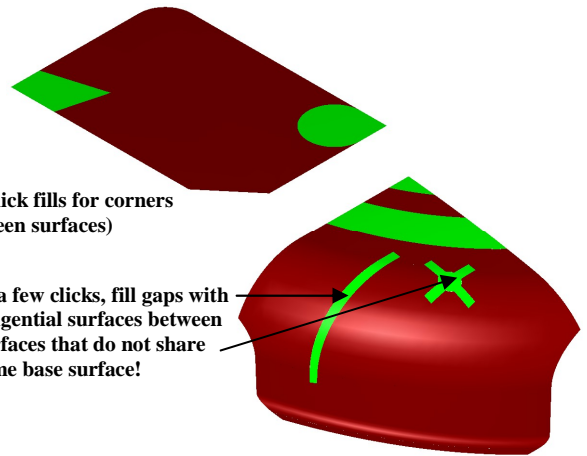
Chamfer on stock



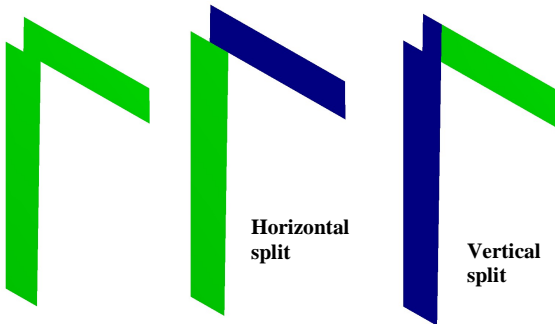
Create complex electrode extensions with a few clicks!

Modify Surface Trims

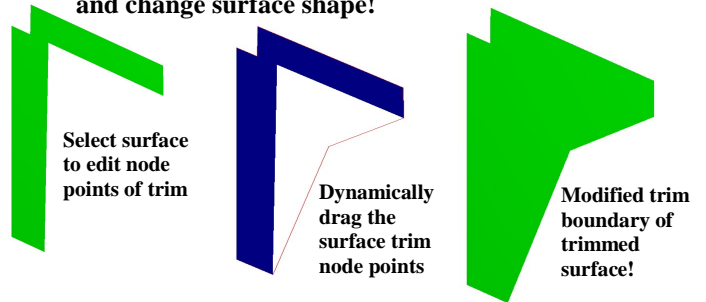
- Superior surface un-trimming tools to **split or fill complex cuts with 1 click!**
- **Create junction surfaces** as tangential or ruled surfaces **between surfaces that do not share a common base surface with 2 clicks!**
- New **Surface Trim Editor** that allows you to **manipulate the boundaries of trim surfaces!** Easily extend, shorten or insert cuts within trimmed surfaces!



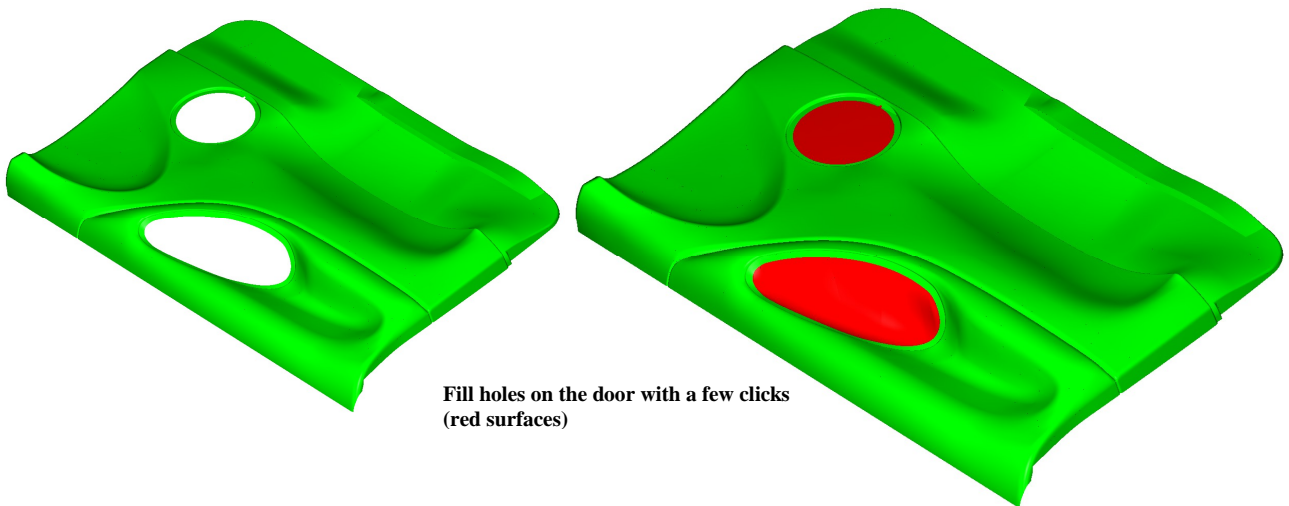
Split surfaces with 1 or 2 clicks without the necessity of wireframe geometry!



Manipulate trim boundaries of surfaces and change surface shape!



Using the Junction surface tool, fill complex holes with tangential or ruled surfaces with a few clicks!



There are several other enhancements to the Parting surface extensions with the ability to control the parting surface direction and more. Support for WCS now available. Surfaces created using Moldplus are optimal for knitting as Solids with minimal control points.

The new electrode extensions and the surface trimming and un-trimming enhancements alone are tools that can help save time and money!

Requirements: Mastercam 9.1 and above
(Will be updated to version X in the near future)

Moldplus® is a product of Moldplus SA
Mastercam® is a product of CNC Software

